

Q-Model Series 210 Ice Cube Machine

New



Q-Model Series 210

- *Up to 220* lbs. (100 kgs.) daily ice production*
*Production rating outside the scope of ARI Standard 820.
- *Only 26" (66.04 cm) wide, 26.50" (67.31 cm) deep, and 38.50" (82.55 cm) high on 6" (15.24 cm) legs*
- *80 lb. (36.6 kg) ice storage capacity*
- *Slide up and in bin door tucks under ice machine top cover. Patented ice damper maximizes ice storage capacity*
- *Stainless steel exterior with the fit and finish of an appliance*
- *Patented cleaning and sanitizing technology*
- *R-404A CFC-free refrigerant*
- *Warranty*
 - *5-year parts and 5-year labor coverage on ice machine evaporator*
 - *5-year parts and 3-year labor coverage on ice machine compressor*
 - *3 year parts-and-labor coverage on all other components*



**ISO 9001
Quality
System
Certified**

THE RIGHT CLIMATE FOR LEADERSHIP

Manitowoc®

ICE CUBE MACHINES • ICE STORAGE BINS

Manitowoc Q-Model 210 Series


A seamless blend of thoughtful design, new technology and rugged construction.

Model	Cube size	Ice production lbs./Kgs. 24 hours	Power kWh/100 lbs.
QR-0210A	regular	145 lbs./66 Kgs.	10.6
QR-0211W	regular	175 lbs./79 Kgs.	7.4
QD-0212A	dice	155 lbs./70 Kgs.	9.9
QD-0213W	dice	190 lbs./86 Kgs.	6.8
QY-0214A	half-dice	155 lbs./70 Kgs.	9.9
QY-0215W	half-dice	190 lbs./86 Kgs.	6.8
Water usage/100 Lbs./45.4 Kgs. of Ice			
Potable Water: 33.5 gallons, 127 Liters			
Water-cooled Condenser: 142 gallons, 537 Liters			

* "A" or "W" following model number indicates "Air" or "Water" condensing unit.

24-HOUR PRODUCTION † lbs./kgs.							
AIR-COOLED UNIT				WATER-COOLED UNIT			
air temp	water temp			air temp	water temp		
°F	50°	70°	90°	°F	50°	70°	90°
°C	10°	21°	32°	°C	10°	21°	32°
70°	215	185	165	70°	220	205	170
21°	98	84	75	21°	100	93	77
80°	200	170	150	80°	215	200	165
27°	91	77	68	27°	98	91	75
90°	185	155	135	90°	205	190	155
32°	84	70	61	32°	93	86	70

† Production for Dice and Half Dice cubes. Regular cube is 7% less than chart and kWh/100 lbs. increases 7%.

 **Certified In Accordance With ARI Ice Storage Bins Certification Program, which is based on ARI Standard 820**

Ice Machine Electric

115/60/1. (208-230/60/1 also available.) For 230/50/1 see 50 cycle literature. 115/60/1 ice machines are factory pre-wired with a 6' (180 cm) power cord and NEMA 5-15P-plug configuration. 208-230/60/1 ice machines are factory pre-wired with a 6' (180 cm) power cord only, no plug is supplied.

Total Amps:

Air-cooled — 7.8 amps. Water-cooled — 7.0 amps.

Maximum fuse size:

Air and Water-cooled — 15 amps.

HACR-type circuit breakers can be used in place of fuses.

Specifications

BTU Per Hour:

3,800 (average) 5,000 (peak)

Compressor:

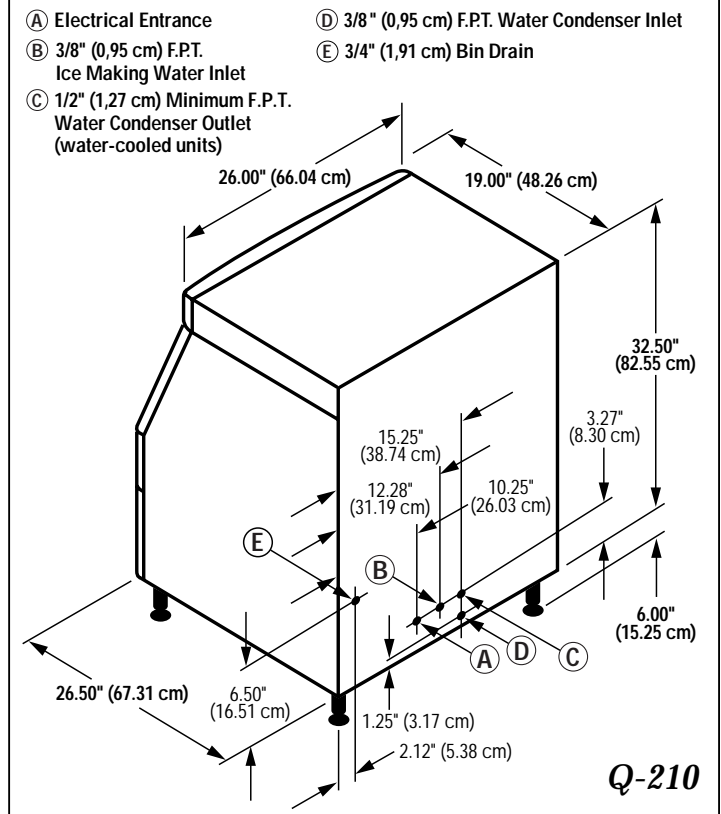
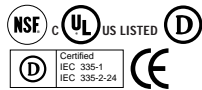
Nominal rating: 1/3 HP

Cupra-Nickel Condenser:

(Water-cooled models)
Adds protection from
corrosive water elements.

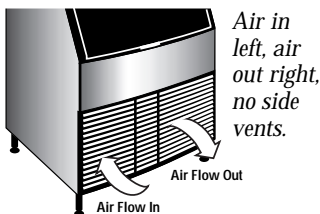
Operating Limits:

- Ambient Temperature Range: 35°-110°F (1.7°-43.3°C)
- Water Temperature Range: 33°-90°F (0.6°-32.2°C)
- Water Pressure Ice Maker Water In: Min 20 psi (137.9 kPa) Max 80 psi (551.1 kPa)
- Condenser Inlet Water In: (Water cooled only) Min. 20 psi (137.9 kPa) Max. 150 psi (1,034.2 kPa)

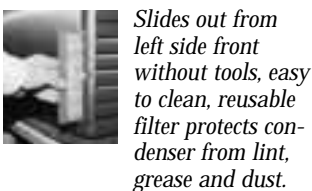


Installation Note - Recommended clearance for top, sides, and back is 5" (12.7 cm) however, there is no minimum clearance required.

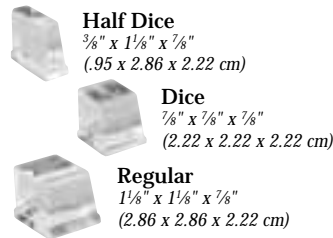
Air Flow Front View



Air Filter



3 Cube Sizes to Choose From



Front Access

Initiate ice, off and clean operations with simple upfront selector switch. No need to remove front panel.



THE RIGHT CLIMATE FOR LEADERSHIP
Consult your local Manitowoc Representative:

Manitowoc Ice, Inc.
2110 South 26th Street, P.O. Box 1720 • Manitowoc, WI 54221-1720, USA
Ph: 920-682-0161 • Fax: 920-683-7589
www.manitowocice.com

