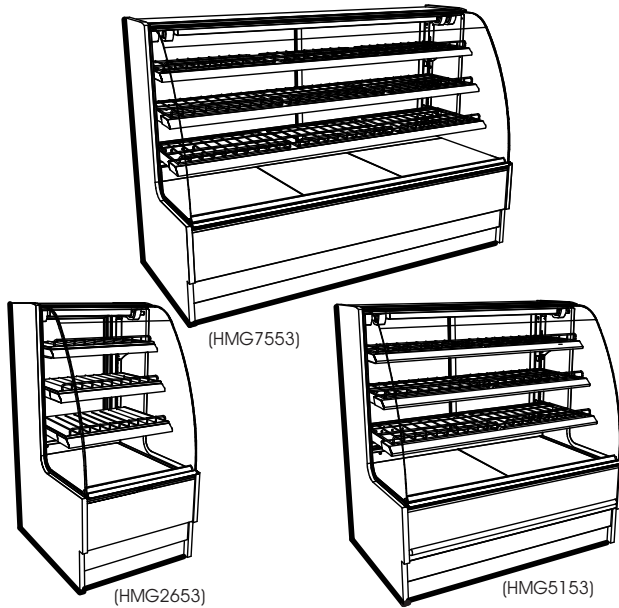


### Service Dry Bakery Merchandiser



- HMG2653 26 7/8"L x 34 3/4"D x 52 5/8"H
- HMG3953 38 7/8"L x 32 1/8"D x 52 5/8"H
- HMG5153 50 7/8"L x 32 1/8"D x 52 5/8"H
- HMG6353 62 11/16"L x 32 1/8"D x 52 5/8"H
- HMG7553 75 1/4"L x 32 1/8"D x 52 5/8"H

#### STANDARD FEATURES

- Warranty-One year parts & labor warranty
- Rear swinging door on 26" model and rear sliding doors on all other models.
- Light-T-8 top & shelf lights
- Lower front-Straight front panel
- Shelves-Shelving removable and adjustable on 1" centers

	STANDARD SPECIFICATION	OPTION(S)
ELECTRICAL CONNECT	<input type="checkbox"/> 6 ft straight blade power cord (self cont.)	<input type="checkbox"/> Electrical leads (remote) <input type="checkbox"/> 6 ft locking power cord (self cont.)
UPPER REAR	<input type="checkbox"/> Clear glass rear sliding doors w/o lock (26" model swinging specify LH or RH hinge)	<input type="checkbox"/> Reflective glass rear sliding doors w/o lock (26" model swinging specify LH or RH hinge) <input type="checkbox"/> Reflective glass rear sliding doors w/lock (26" model swinging specify LH or RH hinge) <input type="checkbox"/> Clear glass rear sliding doors w/lock (26" model swinging specify LH or RH hinge)
INTERIOR COLOR	<input type="checkbox"/> Black interior	<input type="checkbox"/> White interior <input type="checkbox"/> Stainless Steel interior
TRIM COLOR	<input type="checkbox"/> Black trim	<input type="checkbox"/> Silver trim
EXTERIOR COLOR	<input type="checkbox"/> Laminated exterior (Wilsonart/Formica non-premium) <input type="checkbox"/> Note: Upper & lower rear areas white	<input type="checkbox"/> Stainless steel exterior (includes rear of case) <input type="checkbox"/> Painted exterior (specify color) <input type="checkbox"/> Laminated exterior (Wilsonart/Formica premium) <input type="checkbox"/> Oak veneer exterior (stained) <input type="checkbox"/> Oak veneer exterior (clear coat)
BASE SUPPORT	<input type="checkbox"/> Levelers	<input type="checkbox"/> 6"H legs <input type="checkbox"/> Casters
END PANEL LEFT	<input type="checkbox"/> Full end panel w/mirror interior	<input type="checkbox"/> Cutaway end panel
END PANEL RIGHT	<input type="checkbox"/> Full end panel w/mirror interior	<input type="checkbox"/> Cutaway end panel
FRONT GLASS	<input type="checkbox"/> Curved single pane, lift-up front glass w/o lock	<input type="checkbox"/> Non-glare, curved single pane, lift-up front glass w/lock <input type="checkbox"/> Non-glare, curved single pane, lift-up front glass w/o lock <input type="checkbox"/> Curved single pane, lift-up front glass w/lock
PRICE TAG MOULDING	<input type="checkbox"/> None	<input type="checkbox"/> Price tag moulding
SHELVING	<input type="checkbox"/> Wire rack(s) 13"D, lighted	<input type="checkbox"/> Wire rack(s) 18"D, lighted <input type="checkbox"/> Smoked glass, lighted shelves <input type="checkbox"/> Clear glass, lighted shelves
BUMPER	<input type="checkbox"/> None	<input type="checkbox"/> 1" bumper on front & ends (specify color) <input type="checkbox"/> 1" bumper on front (specify color) <input type="checkbox"/> 1" bumper on front & left end (specify color) <input type="checkbox"/> 1" bumper on front & right end (specify color)

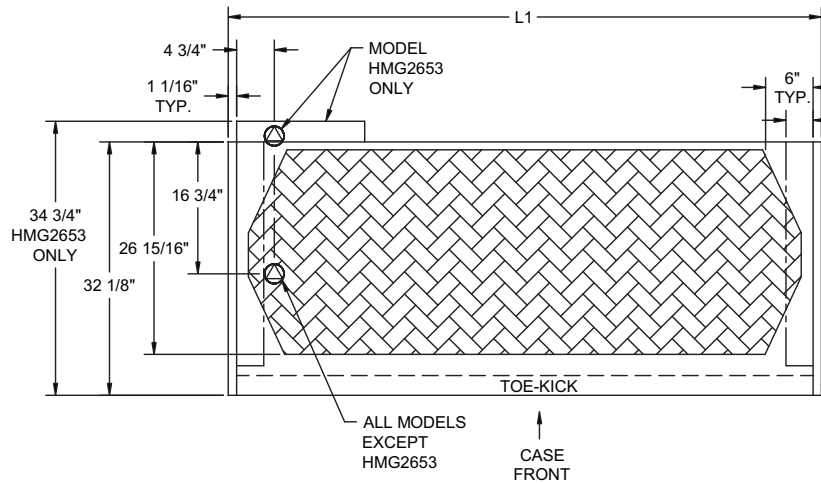
Note: Information is subject to change at any time.

888 E. Porter Rd. Muskegon, MI 49441 Phone: 231.798.8888 Fax: 231.798.4960 www.structuralconcepts.com

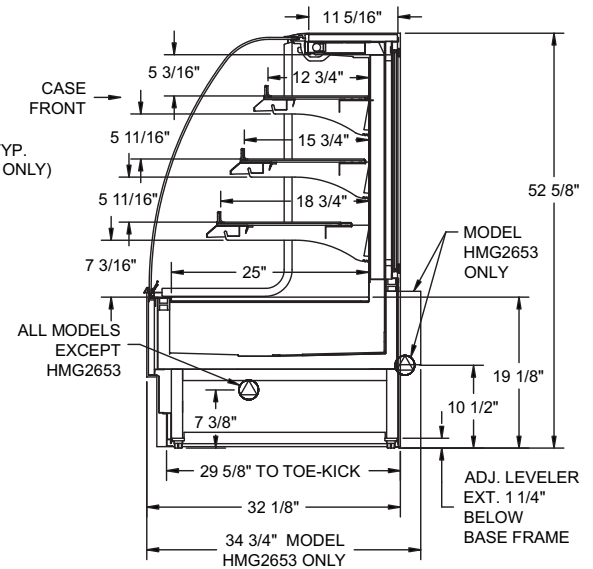
## PRODUCT SPECIFICATIONS

Intended Use of Display Area: Unpackaged non-refrigerated products  
 Integrated Product Temperature (IPT): Ambient°F  
 Intended Environment:

PLAN VIEW



SIDE VIEW



NOTE: ALL DIMENSIONS APPROXIMATE

- ELECTRICAL JUNCTION BOX (SUPPLIED WITH 6" LEADS OR POWER CORD).
- REMOTE CASE SERVICE ACCESS AREA.
- LOCATION OF CONDENSATE DRAIN TUBE (SUPPLIED WITH 3/4" OR 1 1/2" PVC DRAIN TUBE).
- SELF-CONTAINED CASE SERVICE ACCESS AREA.
- REFRIGERATION LINE CONNECTION.
- DRY CASE SERVICE ACCESS AREA.

Model	Self-Contained Refrigeration/Dry					Remote Refrigeration w/Leads			Ship Wt	Frt Cls
	L1*	L2*	Volts++	Amps	NEMA Plug	Volts++	Amps***	BTUH		
HMG2653	26 7/8	0	120/1/60	1.22	NEMA 5-15P	N/A	N/A	N/A	400	110
HMG3953	38 7/8	0	120/1/60	0.94	NEMA 5-15 P	N/A	N/A	N/A	700	110
HMG5153	50 7/8	0	120/1/60	0.94	NEMA 5-15 P	N/A	N/A	N/A	700	110
HMG6353	62 11/16	0	120/1/60	1.5	NEMA 5-15 P	N/A	N/A	N/A	950	110
HMG7553	75 1/4	0	120/1/60	1.6	NEMA 5-15 P	N/A	N/A	N/A	950	110

++ Operating range for 120 volt rating is 110-120 volts; operating range for 220 volt rating is 208-230 volts.

\*\* Requires 3 wires + ground

\*\*\* Does not include electric defrost on freezer models

### REGULATORY APPROVALS

- ETL Listed Certified to CAN/CSA 22.2
- ETL Listed Conforms to UL 65
- ETL Sanitation Conforms to NSF 2