

### Service Refrigerated Bakery Merchandiser



MODEL SHOWN: HV56R

- |                                 |                         |
|---------------------------------|-------------------------|
| <input type="checkbox"/> HV38R  | 40"L x 42"D x 51 1/4"H  |
| <input type="checkbox"/> HV48R  | 50"L x 42"D x 51 1/4"H  |
| <input type="checkbox"/> HV56R  | 58"L x 42"D x 51 1/4"H  |
| <input type="checkbox"/> HV74R  | 76"L x 42"D x 51 1/4"H  |
| <input type="checkbox"/> HV96R  | 98"L x 42"D x 51 1/4"H  |
| <input type="checkbox"/> HV112R | 114"L x 42"D x 51 1/4"H |

#### STANDARD FEATURES

- Light-T-8 top & shelf lights
- Evaporator pan-Electric condensate pan (self-contained refig. only)
- Compressor air-Compressor air rear intake, front discharge. Toe kick cannot be blocked
- Warranty-One year parts & labor; 1-5 year compressor warranty
- Temp-Integrated average product temperature of 41°F or less.
- Shelves-Shelving removable and adjustable on 1" centers

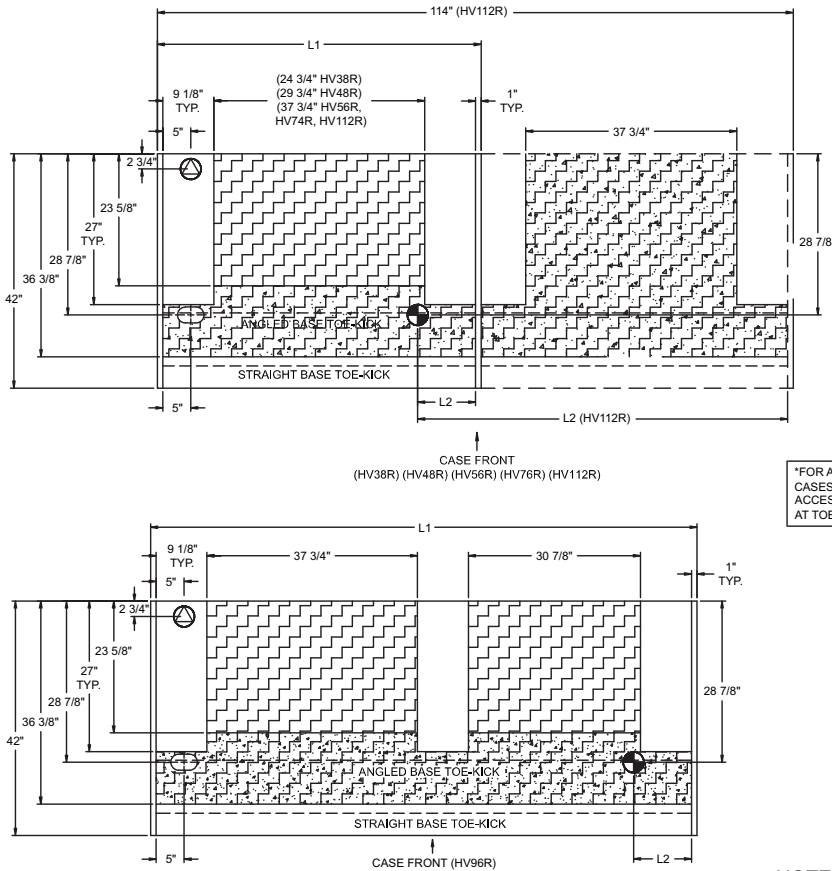
	STANDARD SPECIFICATION	OPTION(S)
ELECTRICAL CONNECT	<input type="checkbox"/> 6 ft straight blade power cord (self cont.)	<input type="checkbox"/> 6 ft locking power cord (self cont.) <input type="checkbox"/> Electrical leads (remote)
INTERIOR COLOR	<input type="checkbox"/> Black interior	<input type="checkbox"/> White interior <input type="checkbox"/> Stainless Steel interior
TRIM COLOR	<input type="checkbox"/> Black trim	<input type="checkbox"/> Silver trim <input type="checkbox"/> Gold trim
EXTERIOR COLOR	<input type="checkbox"/> Laminated exterior (Wilsonart/Formica non-premium)	<input type="checkbox"/> Painted exterior (specify color) <input type="checkbox"/> Laminated exterior (Wilsonart/Formica premium) <input type="checkbox"/> Oak veneer exterior (stained) <input type="checkbox"/> Oak veneer exterior (clear coat) <input type="checkbox"/> Stainless steel exterior
REFRIGERATION	<input type="checkbox"/> Breeze™ refrigeration <input type="checkbox"/> Remote w/TXV (nom 10ft L & 12ft L only)	<input type="checkbox"/> Remote w/thermostat, solenoid & TXV <input type="checkbox"/> Remote w/TXV <input type="checkbox"/> Note: Remote does Not include Condensing unit
BASE SUPPORT	<input type="checkbox"/> Levelers	<input type="checkbox"/> Casters
FRONT PANEL	<input type="checkbox"/> Straight front panel	<input type="checkbox"/> ABS upper front panel
END PANEL LEFT	<input type="checkbox"/> Full end panel w/mirror interior	<input type="checkbox"/> Cutaway end panel <input type="checkbox"/> No end panel (for case to case connections)
END PANEL RIGHT	<input type="checkbox"/> Full end panel w/mirror interior	<input type="checkbox"/> Cutaway end panel <input type="checkbox"/> No end panel (for case to case connections)
ANGLED DECK	<input type="checkbox"/> None	<input type="checkbox"/> Angled deck (n/a w/display steps)
FRONT GLASS	<input type="checkbox"/> Curved single pane, lift-up front glass w/o lock	<input type="checkbox"/> Non-glare, curved single pane, lift-up front glass w/lock <input type="checkbox"/> Non-glare, curved single pane, lift-up front glass w/o lock <input type="checkbox"/> Curved single pane, lift-up front glass w/lock
UPPER REAR	<input type="checkbox"/> Clear glass rear sliding doors w/o lock	<input type="checkbox"/> Reflective glass rear sliding doors w/lock <input type="checkbox"/> Clear glass rear sliding doors w/lock <input type="checkbox"/> Reflective glass rear sliding doors w/o lock
SHELVING	<input type="checkbox"/> Clear glass, lighted shelves	<input type="checkbox"/> Smoked glass, lighted shelves
BUMPER	<input type="checkbox"/> None	<input type="checkbox"/> 1" bumper on front (specify color)

# ENCORE®

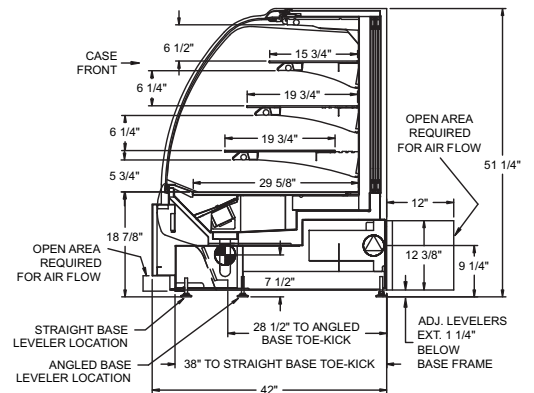
## PRODUCT SPECIFICATIONS

Intended Use of Display Area: Unpackaged refrigerated products  
 Integrated Product Temperature (IPT): 41°F  
 Intended Environment: Designed to operate in ambient conditions of 75°F / 55% relative humidity.

### PLAN VIEW



### SIDE VIEW



\*FOR ANGLED BASE CASES, SERVICE ACCESS AREAS END AT TOE-KICK

NOTE: ALL DIMENSIONS APPROXIMATE

- ELECTRICAL JUNCTION BOX (SUPPLIED WITH 6' LEADS OR POWER CORD).
- LOCATION OF CONDENSATE DRAIN TUBE (SUPPLIED WITH 3/4\"/>

Model	Self-Contained Refrigeration/Dry					Remote Refrigeration w/Leads			Ship Wt	Frt CIs
	L1*	L2*	Volts++	Amps	NEMA Plug	Volts++	Amps***	BTUH		
HV38R	40	10 3/8	120/1/60	10.12	NEMA 5-15P	120/1/60	2.12	2445	800	110
HV48R	50	10 3/8	120/1/60	12.74	NEMA 5-15P	120/1/60	2.81	2844	960	110
HV56R	58	10 3/8	120/1/60	15.77	NEMA 5-15P	220/1/60**	2.47	3289	1020	110
HV74R	76	10 3/8	220/1/60**	14.5	NEMA 14-20P	120/1/60	4	3832	1230	110
HV96R	98	10 3/8	220/1/60**	14.8	NEMA 14-20P	120/1/60	4.3	4920	1480	110
HV112R	114	56	N/A	0	N/A	120/1/60	5.74	6236.29	1450	110

++ Operating range for 120 volt rating is 110-120 volts; operating range for 220 volt rating is 208-230 volts.

\*\* Requires 3 wires + ground

\*\*\* Does not include electric defrost on freezer models

### REGULATORY APPROVALS

- ETL Listed Certified to CAN/CSA 22.2
- ETL Listed Conforms to UL 471
- ETL Sanitation Conforms to NSF 7
- Rated in Accordance with ARI Standard 1200

### Important Note:

43" Minimum door entry clearance required (Without shipping skid).

### Important Note:

Compressor air intake from rear and out front panel at toe kick. Toe kick cannot be blocked.

### Important Note:

Units are supplied with levelers. They must be adjusted during installation to ensure the unit is level and plumb. Dimensions reflect levelers extended 1 1/4".



Note: Information is subject to change at any time.

888 E. Porter Rd. Muskegon, MI 49441 Phone: 231.798.8888 Fax: 231.798.4960 www.structuralconcepts.com