

Service/Self-Service Refrigerated Bakery Merchandiser



MODEL SHOWN: HOU4852R

| | |
|-----------------------------------|--------------------|
| <input type="checkbox"/> HOU3852R | 40"L x 42"D x 53"H |
| <input type="checkbox"/> HOU4852R | 50"L x 42"D x 53"H |
| <input type="checkbox"/> HOU5652R | 58"L x 42"D x 53"H |
| <input type="checkbox"/> HOU7452R | 76"L x 42"D x 53"H |

STANDARD FEATURES

- Light-T-8 top & shelf lights
- Upper display-2ft & 3ft models do not include center divider in upper display
- Upper display-Convertible baffle in upper display
- Evaporator pan-Electric condensate pan (self-contained refriger. only)
- Compressor air-Compressor air rear intake, front discharge. Toe kick cannot be blocked
- Warranty-One year parts & labor; 1-5 year compressor warranty
- Temp-Integrated average product temperature of 41°F or less.
- Ends-Full end panel w/mirror interior
- Shelves-Shelving removable and adjustable on 1" centers

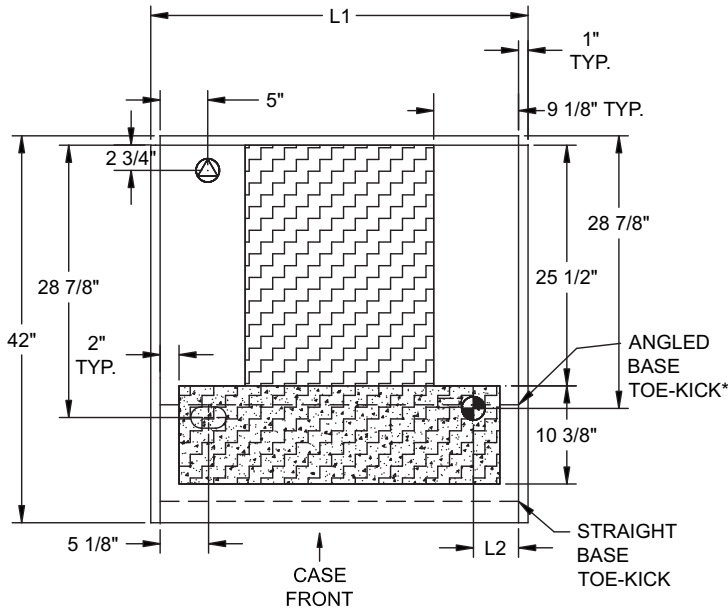
| | STANDARD SPECIFICATION | OPTION(S) |
|---------------------|---|---|
| ELECTRICAL CONNECT | <input type="checkbox"/> 6 ft straight blade power cord (self cont.) | <input type="checkbox"/> 6 ft locking power cord (self cont.) <input type="checkbox"/> Electrical leads (remote) |
| LOWER DISPLAY | <input type="checkbox"/> Single display deck | <input type="checkbox"/> 2"H Display steps (n/a w/shelf) <input type="checkbox"/> 4"H Display steps (n/a w/shelf) <input type="checkbox"/> Clear glass, lighted shelf <input type="checkbox"/> 2"H Full depth display riser(s) (n/a w/shelf) <input type="checkbox"/> 4"H Full depth display risers (n/a w/shelf) <input type="checkbox"/> Smoked glass, lighted shelf |
| UPPER DISPLAY | <input type="checkbox"/> Clear glass, lighted shelf | <input type="checkbox"/> Smoked glass, lighted shelf |
| INTERIOR COLOR | <input type="checkbox"/> Black interior | <input type="checkbox"/> White interior <input type="checkbox"/> Stainless Steel interior |
| TRIM COLOR | <input type="checkbox"/> Black trim | <input type="checkbox"/> Silver trim <input type="checkbox"/> Gold trim |
| EXTERIOR COLOR | <input type="checkbox"/> Laminated exterior (Wilsonart/Formica non-premium) | <input type="checkbox"/> Painted exterior (specify color) <input type="checkbox"/> Laminated exterior (Wilsonart/Formica premium) <input type="checkbox"/> Oak veneer exterior (stained) <input type="checkbox"/> Stainless steel exterior |
| COVER/CURTAIN | <input type="checkbox"/> None | <input type="checkbox"/> Removable wire security cover, locking <input type="checkbox"/> Night curtain, retractable, non-locking |
| REFRIGERATION | <input type="checkbox"/> Breeze™ refrigeration | <input type="checkbox"/> Remote w/thermostat, solenoid & TXV <input type="checkbox"/> Remote w/TXV <input type="checkbox"/> Note: Remote does Not include Condensing unit |
| BASE SUPPORT | <input type="checkbox"/> Levelers | <input type="checkbox"/> Casters |
| FRONT PANEL | <input type="checkbox"/> Straight front panel | <input type="checkbox"/> ABS upper front panel |
| REAR DOORS | <input type="checkbox"/> Clear glass rear sliding doors w/o lock | <input type="checkbox"/> Reflective glass rear sliding doors w/lock <input type="checkbox"/> Clear glass rear sliding doors w/lock <input type="checkbox"/> Reflective glass rear sliding doors w/o lock |
| REAR WRAPPING BOARD | <input type="checkbox"/> None | <input type="checkbox"/> Rear wrapping board |
| ACRYLIC TOP DISPLAY | <input type="checkbox"/> None | <input type="checkbox"/> Acrylic display w/sliding doors |
| FRONT GLASS | <input type="checkbox"/> Curved double pane, lift-up front glass w/o lock | <input type="checkbox"/> Non-glare, curved double pane, lift-up front glass w/o lock |
| BUMPER | <input type="checkbox"/> None | <input type="checkbox"/> 1" bumper on front (specify color) |

ENCORE®

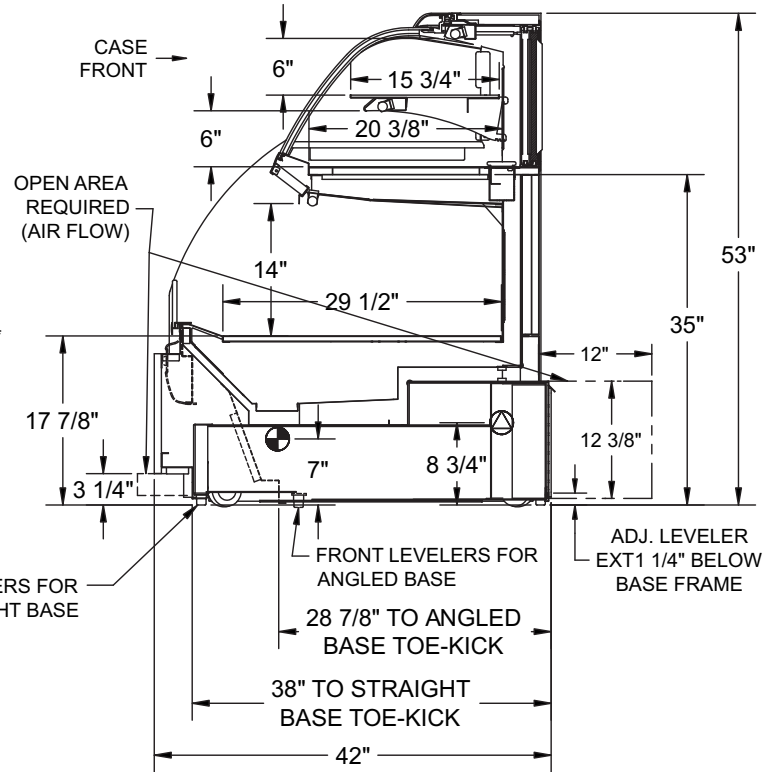
PRODUCT SPECIFICATIONS

Intended Use of Display Area: Packaged/unpackaged refrigerated products
 Integrated Product Temperature (IPT): 41°F
 Intended Environment: Designed to operate in ambient conditions of 75°F / 55% relative humidity.

PLAN VIEW



SIDE VIEW



*FOR ANGLED BASE CASES, SERVICE ACCESS AREAS END AT TOE-KICK

NOTE: ALL DIMENSIONS APPROXIMATE

- ELECTRICAL JUNCTION BOX (SUPPLIED WITH 6" LEADS OR POWER CORD).
- LOCATION OF CONDENSATE DRAIN TUBE (SUPPLIED WITH 3/4" OR 1 1/2" PVC DRAIN TUBE).
- REFRIGERATION LINE CONNECTION.
- REMOTE CASE SERVICE ACCESS AREA.
- SELF-CONTAINED CASE SERVICE ACCESS AREA.
- DRY CASE SERVICE ACCESS AREA.

| Model | Self-Contained Refrigeration/Dry | | | | | Remote Refrigeration w/Leads | | | Ship Wt | Frt Cls |
|----------|----------------------------------|--------|------------|--------|-------------|------------------------------|---------|------|---------|---------|
| | L1* | L2* | Volts++ | Amps | NEMA Plug | Volts++ | Amps*** | BTUH | | |
| HOU3852R | 40 | 10 3/8 | 120/1/60 | 17.18 | NEMA 5-20P | 120/1/60 | 2.72 | 2948 | 900 | 110 |
| HOU4852R | 50 | 10 3/8 | 220/1/60** | 13.895 | NEMA 14-20P | 120/1/60 | 3.42 | 3431 | 1050 | 110 |
| HOU5652R | 58 | 10 3/8 | 220/1/60** | 13.67 | NEMA 14-20P | 120/1/60 | 3.22 | 3817 | 1060 | 110 |
| HOU7452R | 76 | 10 3/8 | 220/1/60** | 18.72 | NEMA 14-30P | 120/1/60 | 4.12 | 4900 | 1220 | 110 |

++ Operating range for 120 volt rating is 110-120 volts; operating range for 220 volt rating is 208-230 volts.

** Requires 3 wires + ground

*** Does not include electric defrost on freezer models

REGULATORY APPROVALS

- ETL Listed Certified to CAN/CSA 22.2
- ETL Listed Conforms to UL 471
- ETL Sanitation Conforms to NSF 7

Important Note:

43" Minimum door entry clearance required (without shipping skid).

Important Note:

Compressor air intake from rear and out front panel at toe kick. Toe kick cannot be blocked.

Important Note:

Units are supplied with levelers. They must be adjusted during installation to ensure the unit is level and plumb. Dimensions reflect levelers extended 1 1/4".



Note: Information is subject to change at any time.

888 E. Porter Rd. Muskegon, MI 49441 Phone: 231.798.8888 Fax: 231.798.4960 www.structuralconcepts.com